



VR-4  
elektra



dress your product...



The ideal solution for packing products easily and with the best quality available in the market

### PROVEN RELIABILITY:

This machine is the result of a careful design and years of solid experience in the packaging of fruits and vegetables.

What has to be mentioned, beside performance, is the fact that it is made of reliable and well built mechanical groups that can safely resist to typical corrosion factors such as humidity, soil and fluids.

### VERSATILITY

A specific focus on key elements such as universal forming tunnel, auto-centering coil holder and progressive braking system allows to handle a wide range of packaging sizes and to switch from one to the other in an extremely easy way.

Touch screen allows to store parameters for up to 40 different product formats.



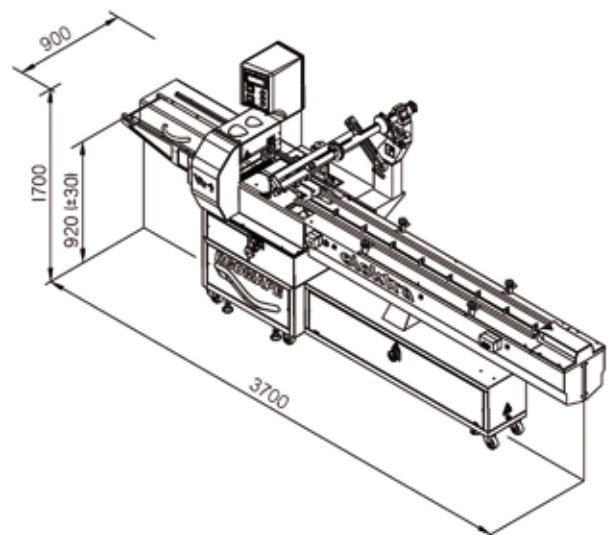
### SIMPLICITY AND EASY FUNCTIONING:

The machine is designed focusing on what really counts to assure a perfect functioning and excellent packaging quality.

As a result, handling becomes an easy and quick to learn work.

### QUALITY AND DURABILITY

All parts included in the machine have a high standard of quality and are tested to work effectively and last long/long lasting performance.



<b>SPEED</b>	max 30 meters/minute. Instant reduction of speed. Special speed option to help film insertion.
<b>RANGE OF SUITABLE DIMENSIONS OF PRODUCTS</b>	Length 30-150 mm or 80-450 mm. Width: 10-240 mm. Height: 10-120mm .
<b>FILM REEL SIZES</b>	Max width 600 mm.
<b>PACKAGING MATERIAL</b>	BOPP, micro-perforated, macro-perforated type polypropylene, laminate, different permeability films .
<b>ELECTRIC DATA</b>	Single phase. 220 V. 50/60 Hz.

